

A mason typically lifts 2 ½ tons per day.

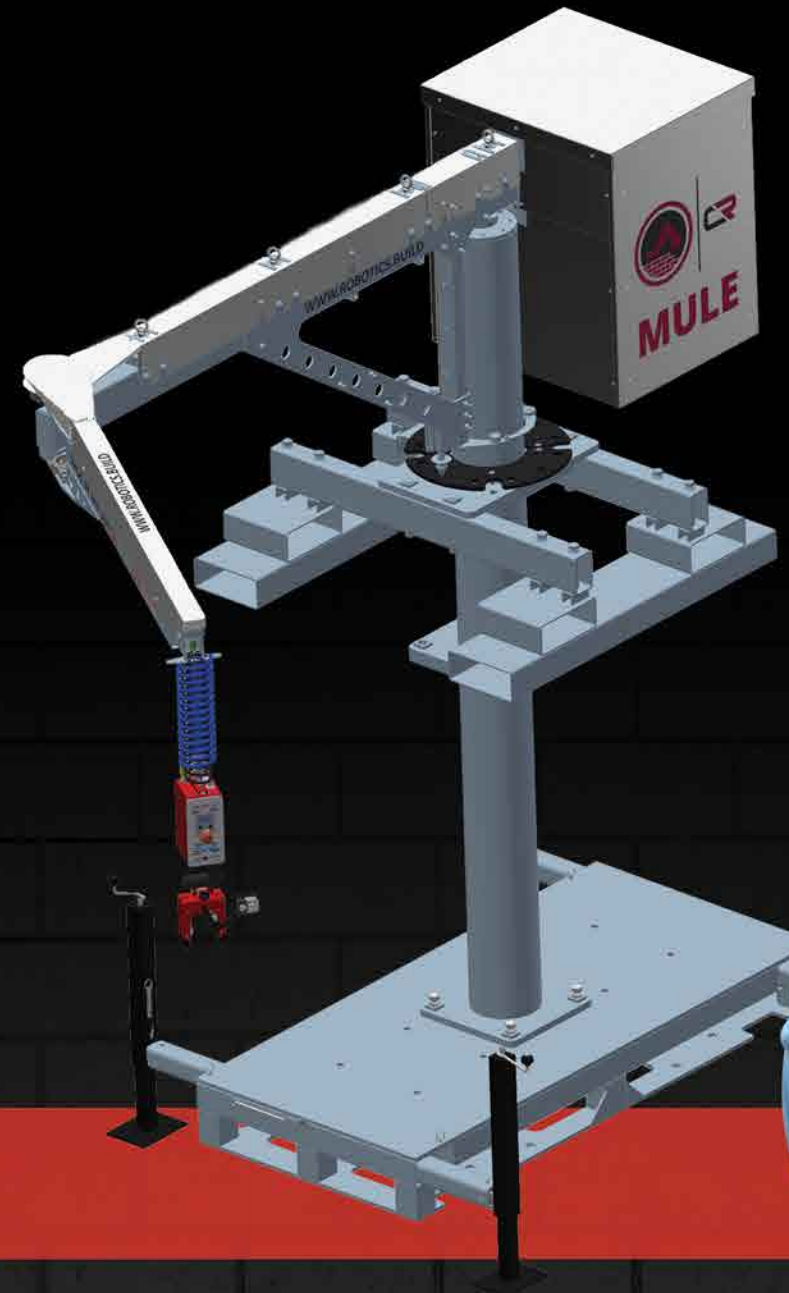


**Construction Robotics**  
Advancing Construction



**The MULE does the heavy lifting so you don't have to!**

To learn more about rental and purchasing options, call 585-742-2004 or email us at [sales@robotics.build](mailto:sales@robotics.build)



**MULE**

A smart lifting tool designed for construction that does the heavy lifting, so you don't have to.



**Construction Robotics**  
Advancing Construction

[www.robotics.build](http://www.robotics.build)

795 Canning Parkway  
Victor, NY 14564  
Telephone: (585) 742-2004  
[info@robotics.build](mailto:info@robotics.build)



Patent pending.

Construction Robotics is dedicated to developing affordable, leading-edge robotics and automation software and equipment for the construction industry.



## Benefits of MULE:

- Brings true ergonomics to a demanding industry
- Helps with labor challenges by extending careers and attracting new talent
- Significantly increases productivity by working smarter, and more consistently throughout the day
- Decreases the per block set cost
- Quick ROI of under 6 months in many cases



Works with many materials. Gripper quickly swaps allowing users to grab all types of construction materials.



Free-stands over 20'

## Flexibility:

- Makes any product weightless up to 135lbs
- Works from the ground, traditional scaffold or mast climbing work platforms
- Works with many materials

