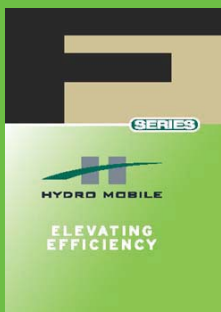




Transport Platform Owner's Manual



Call us for information:
1-888-484-9376 (US)
(toll free in the United States)
(450) 589-8100 (Canada)

TP_OpMan_v1.03_EN



NOTE

All assembly and operation instructions located on motorized units and bridges take precedence over information contained in this manual. Should there be any discrepancies discovered throughout any published documentation issued by Hydro Mobile or its authorized affiliates, the following order of precedence shall prevail:

1. Written documents issued by the Hydro Mobile Engineering department
2. Recall instructions
3. Assembly or operation instructions displayed on the motorized unit
4. Owner's manual

Any use of one or several Hydro Mobile motorized units, with or without accessories, in such a configuration or manner as not explicitly described in this manual is not recommended without the prior written permission of Hydro Mobile Inc.

REVISION LIST

Date	Description
April 2010 v1.0	First edition of Owner's manual
April 2011 v 1.1	Overall revision; minor changes, additions and corrections
June 2011 v 1.2	Overall revision; changes to mast ties
July 2016 v 1.03	Changes to load capacities

LEGEND OF ICONS

These icons are used to highlight important information throughout this manual



Walkthrough steps
Installation or configuration steps, at a glance



Useful tip
A useful tip to facilitate installation or operation



Information
Useful information for safe and easy operation



Warning note
An important warning: damage or injury may occur



Windspeed warning
An important warning: windspeed conditions must be observed to avoid damage or injury



HYDRO MOBILE
www.hydro-mobile.com

125 de l'Industrie
L'Assomption, Quebec,
Canada J5W 2T9

For orders or information:
1-888-484-9376 (US)
(toll free in the United States)
(450) 589-8100 (Canada)

TABLE OF CONTENTS

General Information

Introduction	4
Warranty	5

Performance and Safety

Performance and safety rules	6
------------------------------------	---

1 – Transport Platform System

Overview	8
List of components included	8
Minimum bearing surface capacities table	9
System compatibility requirements	9
General guidelines	10
Pre-installation	
Walkthrough	10
Positioning the motorized unit	10
Installation of bridges	11
Installation of pre-installation components	12
Installation and testing of switches	13
Installation of mast sections and mast ties	13
Removal or pre-installation components	15
Standard installation	
Walkthrough	16
Access doors	16
Guardrails	17
Guardrail fillers and lock brackets	18
Access door proximity sensors	20

2 – Transport Platform Bridges

Walkthrough	23
Extension bridges	23
Mast tie installation deck (optional)	
Installation of the support brackets	25
Installation of the scaffold planks	25
Lifting the support brackets	26

3 – Mast Ties

Mast ties	
Configuration	27
Mast tie installation schedule	27
Walkthrough	28
Installation of the anchoring system	28
Installation of a mast tie level	28
Components required for each level	29
Installation of the mast tie frame and the wall tie brackets	29
Assembly and installation of the mast ties	30
Installation of the mast tie braces	31

4 – Load Capacities

Instructions for safe operation	32
Wind speeds	32
Load capacity charts	33

5 – Accessories

Transport platform safety stop switch and triggers	
Walkthrough	35
Installation of the adapter bracket for the proximity sensor	35
Installation of the mast head top limit trigger	36
Installation of the stop switch trigger	36
Adjustment of the proximity sensor	37
Operation of the stop switch	37
Roof guard structure	
Installation	38

6 – Transport, Storage and Maintenance

Transport and storage	39
Maintenance	39
Frequent inspection checklist	40

Introduction

Dear owner or user:

Thank you for investing in a Hydro Mobile transport platform system. The design of this transport platform system reflects over a decade of continued field operation, testing and research work and comes as a solution to our company's deepest concern, your safety and well being on the job.

To ensure that the workplace becomes safer and more efficient using a Hydro Mobile system, always have a competent person and backup competent person assemble, operate, dismantle and move your transport platform system. These competent persons will be required to read the owner's manuals included with the transport platform system and the motorized unit, and assimilate the information contained therein. Failure to do so could lead to serious injury and/or equipment damage.

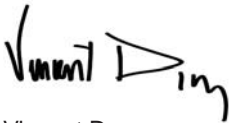
The transport platform was designed in accordance with the standard US ANSI A92.10-2009. Furthermore, the transport platform system and its owner's manual comply with US and Federal Occupational Safety and Health Administration Standards (OSHA), as well as with ISO and CSA standards. Refer to the owner's manual included with the motorized unit for more information about its compliance to applicable standards and regulations.

To maximize the life expectancy of your equipment and to enjoy years of trouble free operation, we recommend that this Hydro Mobile system be maintained in proper working condition by keeping all its parts and components clean and in good repair. It is also advised to refer to the owner's manual and the Honda user's manual included with the motorized unit for recommendations about maintenance.

Should you have any questions or concerns, please contact the nearest authorized service center or Hydro Mobile directly at 888-484-9376 (in the United States) or at 450 589-8100 (in Canada). You can also visit our website at www.hydro-mobile.com for additional support and information on our factory safety and performance training seminars.

We wish you years and years of safe, productive construction and renovation work.

Sincerely,



Vincent Dequoy
President



The installation and operation of a transport platform system is subject to hazards that can be avoided only by using extreme care and common sense. It is essential that the competent person be **appropriately trained in the installation, dismantling, proper use and safe operation** of the transport platform and its motorized unit. Furthermore, access to the transport platform must be restricted to authorized persons having the necessary knowledge or experience, or having received appropriate training **prior to stepping onto** the transport platform.

Warranty

Warranty period

Hydro Mobile Inc., herein referred to as Hydro Mobile, warrants its new F2 Series transport platforms to be free from defect of materials and workmanship for a period of 15 months from the date of delivery to the authorized service center.

Hydro Mobile also warrants its new F2 Series parts and accessories to be free from defect of materials and workmanship for a period of 15 months from the date of delivery to the authorized service center.

Product registration

The owner of a Hydro Mobile F2 Series transport platform should register the product with Hydro Mobile by filling out and returning the warranty registration form included in the owner's manual.

Description of warranty

Parts and accessories manufactured by Hydro Mobile

Hydro Mobile's obligation and liability under this warranty are expressly limited to repairing or replacing with re-manufactured or new parts, at Hydro Mobile's option, any part and accessory manufactured by Hydro Mobile proven defective after inspection by Hydro Mobile which appear to have been defective in material or workmanship. Only permanent repairs will be covered under this warranty. Hydro Mobile reserves the right to ask for maintenance records of the defective part before settling a claim and to deny such claim if maintenance records are not available or not compliant with maintenance schedules.

This warranty shall not apply to component parts or accessories of products not manufactured by Hydro Mobile and which carry the warranty of the manufacturer thereof or to normal maintenance (such as engine tune-up) or any part necessary to perform such maintenance. Hydro Mobile offers no other warranty, expressed or implied, and offers no warranty of merchantability or fitness for any particular purpose.

Engine

All engines manufactured by Honda under the "GX" lineup and by Kohler are covered by an international warranty of 24 months (12 months on mufflers). To have an engine repaired under this warranty, the engine must be brought to an authorized Hydro Mobile service center or to a Honda or Kohler authorized service center.

Battery

All the batteries shipped from the factory with new equipment are guaranteed for a period of 60 days. Any battery discharged due to operator error will not be covered under this warranty. Dead batteries that can be recharged will not be replaced under this warranty.

Costs and liability associated with warranty

Hydro Mobile's obligation under such warranty shall not include duty, taxes or any other charge whatsoever, or any liability for direct, indirect, incidental or consequential damage or delay.

Exclusion

Any use of one or several Hydro Mobile motorized units, with or without accessories, in such a configuration or manner as not explicitly described in the owner's manual is not recommended without the prior written permission of Hydro Mobile.

Any improper use, including operation after discovery of defective or worn parts, shall void this warranty. Improper use also includes operation beyond rated capacity, substitution of parts other than those approved by Hydro Mobile, including anchor systems, or any alteration, modification or repair by others in such manner as in Hydro Mobile's judgment affects the product materially and adversely.

Labor

All warranty work must be performed by a certified Hydro Mobile technician to be eligible for reimbursement under the warranty.

Performance and Safety Rules

SAFETY comes first. The installation and operation of a mast climbing transport platform is subject to hazards that can be avoided only by using extreme care and common sense, and by providing the **appropriate training and supervision** to all its users.

It is essential that the **installation** and **dismantling** of the Hydro Mobile transport platform system be carried out according to the recommendations of the owner's manual and performed under the supervision of a **competent person**.

It is also imperative that the **operation** of a Hydro Mobile transport platform setup be carried out according to the recommendations of the owner's manual and performed by a **competent person**.

Access to the transport platform must be restricted to authorized persons having the necessary knowledge or experience, or having received appropriate training prior to stepping onto the transport platform.

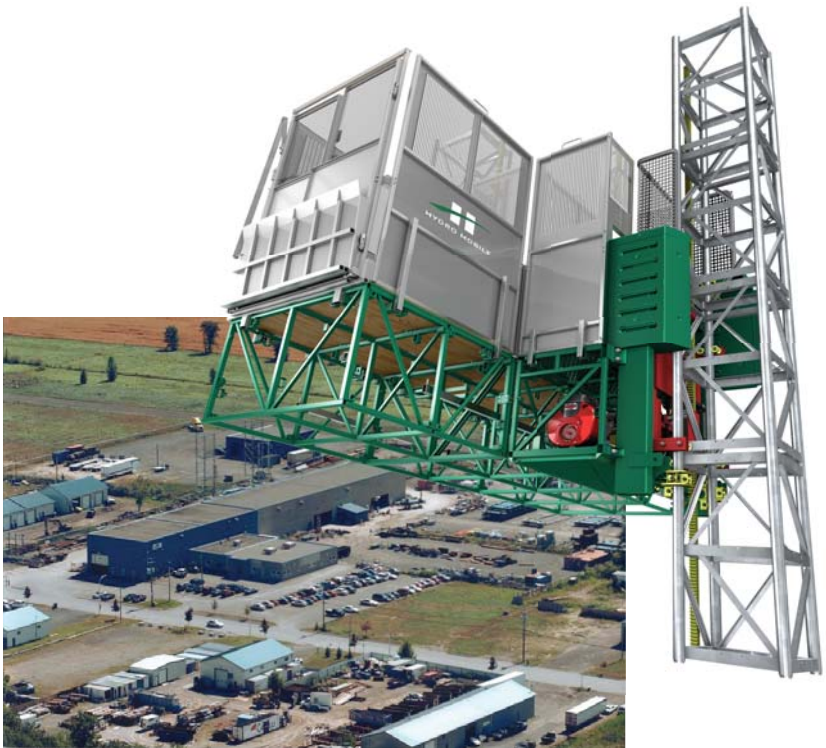
Operating instructions

- 1- Prepare a layout plan showing how the transport platform system will be positioned near structures or walls. Position the transport platform to provide proper anchoring points for the mast.
- 2- Establish the distance between the transport platform system and the structure or wall, taking into account curvatures, balconies, columns, trees, telephone wires, electrical lines, etc.
- 3- Refer to and follow regulations governing distances between the transport platform system and electrical lines.
- 4- Refer to the *Minimum Bearing Surface Capacities* table (fig. 1.4, p. 9) to make sure that the bearing surface capacity meets with values included in that table.
- 5- Never modify the transport platform system or use substitute factory parts. This could adversely affect worker safety, unit performance and void the warranty. In addition, this could lead to serious injury or death.
- 6- Never use the transport platform system in an enclosed space due to carbon monoxide emissions or in a place where explosives are stored. It is also recommended not to smoke on the platform.
- 7- Workers exposed to potential hazards must always wear proper personal protection equipment (PPE) such as a helmet, safety boots, a fall arrest harness, etc., as prescribed by local regulations. In all cases where workers are exposed to fall hazards, fall protection is required. Installation of all the necessary guardrails is **mandatory**.
- 8- Contact the service center or Hydro Mobile for service, repair or technical advice.
- 9- In the event of an abnormal occurrence or operation which could compromise security (ex. malfunction of a motorized unit component, collision with an obstacle, etc.), immobilize the transport platform and inform the competent person.

Performance and Safety Rules

Operating instructions (cont'd)

- 10- All access doors on the transport platform and the motorized unit must be closed when they are not in use.
- 11- Make sure that **safety gates** are installed on each floor that will be accessed by the transport platform.
- 12- The transport platform must not be used or operated during a thunderstorm.
- 13- The placing of loads on the transport platform must be done with extreme care, under proper supervision. **Never load the transport platform beyond its rated capacities.** Overloading may cause serious damages to the installation and lead to injury or death. Refer to the *Load Capacities* section on p. 32 for more information about loading the platform.
- 14- Wind speeds must not exceed **28 mph (46 km/h)** during the **erection and dismantling** of a transport platform setup (including the base, the bridges, the masts, the mast ties and all the other components). The transport platform setup must not be exposed to wind speeds exceeding **35 mph (56 km/h)** when in **operation**. The transport platform must be returned to base level when it is **not in service**.



Note: Items depicted in illustrations throughout this manual may differ from actual products.

Transport Platform System

Overview

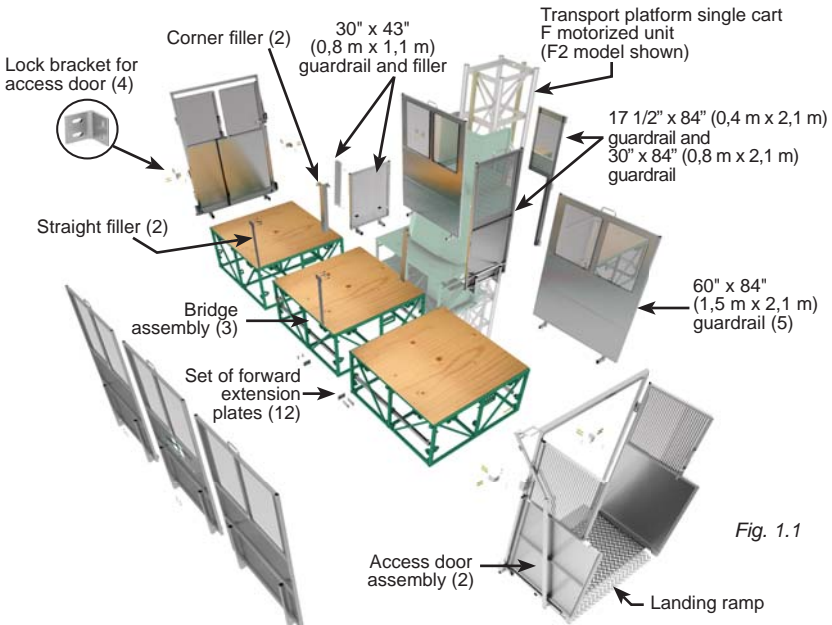


Fig. 1.1

Fig. 1.2

Note: Items depicted in illustrations throughout this manual may differ from actual products.

List of components included with shipped F Series Transport Platform kit			
Qty	Component	Qty	Component
2	access door assemblies	2	corner fillers
5	60" x 84" (1,5 m x 2,1 m) guardrails	2	straight fillers
1	17 1/2" x 84" (0,4 m x 2,1 m) guardrail	1	straight filler for 30" x 43" (0,8 m x 1,1 m) guardrail
1	30" x 84" (0,8 m x 2,1 m) guardrail		
1	30" x 43" (0,8 m x 1,1 m) guardrail	1	limit switch "Y" connector
12	sets of forward extension plates	1	proximity sensor adapter bracket
1	spacer shim	1	safety stop switch trigger assembly
		1	mast head top limit trigger

List of components included with shipped F Series Transport Platform kit (including unit)			
Qty	Component	Qty	Component
1	transport platform motorized unit kit	2	corner fillers
2	access door assemblies	2	straight fillers
5	60" x 84" (1,5 m x 2,1 m) guardrails	1	straight filler for 30" x 43" (0,8 m x 1,1 m) guardrail
1	17 1/2" x 84" (0,4 m x 2,1 m) guardrail		
1	30" x 84" (0,8 m x 2,1 m) guardrail	1	limit switch "Y" connector *
1	30" x 43" (0,8 m x 1,1 m) guardrail	1	proximity sensor adapter bracket *
12	sets of forward extension plates	1	safety stop switch trigger assembly *
1	spacer shim *	1	mast head top limit trigger *

* components included with shipped motorized unit

Fig. 1.3

Transport Platform System

Bearing surface

Before installing the transport platform, make sure that the bearing surface under it is level, clear of debris and has the proper bearing capacity. Appropriate cribbing must be placed under the base to distribute the load.

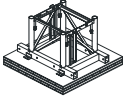
Minimum Bearing Surface Capacities F Series Transport Platform Setup (SINGLE CART INSTALLATION)				
				
Height		Reaction		Pressure (psi)
ft	m	lb	kg	4'x4'x 6 1/2" (1,2 m x 1,2 m x 2 m)
0	0	10 853	4923	5
50	15	14 689	6663	6
100	30	18 525	8403	8
150	46	22 268	10 101	10
200	61	26 011	11 798	11
250	76	29 754	13 496	13
300	91	33 497	15 194	15
350	107	37 240	16 892	16
400	122	40 983	18 590	18
450	137	44 726	20 287	19
500	152	48 469	21 985	21

Fig. 1.4

Note: The minimum bearing surface capacities listed in the table above are for a standard, three-bridge transport platform configuration with a **single cart** F Series motorized unit only. For minimum bearing surface capacities for double cart installations, refer to the F Series owner's manual.

System compatibility requirements (for F2 Series motorized units only)

In a transport platform setup using a **double cart** F2 motorized unit, it is important to make sure that the control panel on the motorized unit is running the appropriate program number and meets the system compatibility requirements.

To determine the program version running on the control panel, power up the control panel. Verify that indicator lights on the panel light up according to the following sequence.

- 1- **Some** lights in **BOTH** columns light up simultaneously and remain lit to form a pattern (number): the number displayed is the program identification number.
- 2- The appropriate number displayed should be:
F100 UNITS = 1 **F200 UNITS = 2** **F300 UNITS = 3**
- 3- After some time, lights in the **LEFT** column light up in a sequence, one after the other.
- 4- Then, lights in the **RIGHT** column light up in a sequence, one after the other.

If the number displayed on the control panel is not appropriate, contact the service center or the Hydro Mobile technical support team. The control panel program must be updated before operating the transport platform setup.

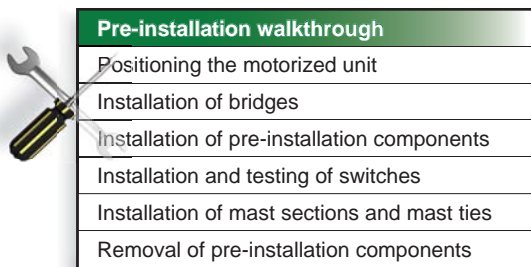
Transport Platform System

General Guidelines

- 1- Installation should be carried out under the supervision of a competent person, in accordance with all applicable local regulations.
- 2- Establish the position of the transport platform system, taking into account that the distance between the front edge of the transport platform setup where the access door will be installed and the face of the work must be between 26 1/2" (67,3 cm) and 28 1/2" (72,4 cm), and that the landing ramp must overlap the support point by at least 4" to 6" (10,1 cm to 15,2 cm).
- 3- If the transport platform will be used to carry material through an opening in a building, make sure that the opening is at least 55" (1,4 m) wide and that the support point for the overlap of the landing ramp has at least the same bearing capacity as the transport platform configuration used. It is also important to make sure that the landing ramp is seated properly on the support point and at an appropriate angle. To determine if the angle of support for the landing ramp is correct, make sure the levers on each side are not completely straight (unfolded).
- 4- Determine if there are obstacles and what are the cribbing requirements. The bearing surface should be level, clear of debris and have the proper bearing capacity. Refer to the *Minimum Bearing Surface Capacities* table (fig. 1.4, p. 9) for more information about cribbing and bearing surface capacity.
- 5- It is important to refer to the owner's manual included with the F2 Series motorized unit to properly assimilate the information regarding the emergency control descent system and the overspeed safety device. It is also important to review the information concerning the control panel and its indicator lights.
- 6- Before proceeding with the pre-installation of the setup, make sure to perform the startup preparation and engine startup procedures as described in the *Power Pack and Components* section of the owner's manual included with the motorized unit.

Pre-Installation

The pre-installation of mast ties is required for every transport platform setup. To facilitate installation and operation in certain configurations using an F2 Series motorized unit not specifically manufactured for the transport platform, it is suggested to remove the bridge link on the side of the unit where the platform will be set up.



Pre-installation walkthrough
Positioning the motorized unit
Installation of bridges
Installation of pre-installation components
Installation and testing of switches
Installation of mast sections and mast ties
Removal of pre-installation components

Transport Platform System

Pre-Installation

Positioning the motorized unit



Removing the bridge link will facilitate installation and operation when using an F2 Series unit not specifically manufactured for the transport platform.

- 1- In reference to the plan/layout drawing, make sure all the components required are available. Establish the position of the motorized unit, determine if there are obstacles and what are the cribbing and mast tie requirements.
- 2- Before installing the motorized unit, determine where the cribbing will rest. The bearing surface under the motorized unit should be level, clear of debris and have the proper bearing capacity (see the *Minimum Bearing Surface Capacities* table, fig. 1.4, p. 9). Should the actual bearing capacity be inferior to the values in the table, please seek instructions and recommendations from Hydro Mobile. It is important to note that the **jacks on the base extension** are designed to level the motorized unit and **should not be used to support the load nor the motorized unit**.
- 3- Unload the motorized unit with a forklift or a crane, lifting it by the mast head. For more information on the lifting capacity of the mast head, refer to the *Masts and Mast Ties* section of the owner's manual included with the motorized unit.
- 4- Align the base of the motorized unit with the face of the work and lower it into position.
- 5- Using the jacks on the base extension, level the mast on both its front and side axis, then, if required, use metal shims to adjust the base so it sits squarely and level on the cribbing.

Installation of bridges

- 6- Attach the first 60" (1,5 m) bridge assembly to the motorized unit ("A" in fig. 1.5). Refer to the *Bridges* section of the owner's manual included with the motorized unit for more information on the installation of bridges.
- 7- Attach the second bridge assembly ("B" in fig. 1.5) to the front of the first bridge assembly installed and secure in place using two outriggers and six extension plate assemblies. Refer to p. 23 of the *Bridges* section for **specific instructions** on the installation of **plate assemblies in a transport platform setup**.

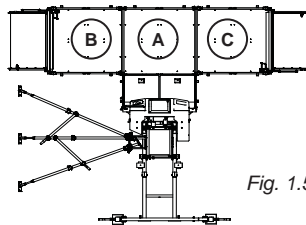


Fig. 1.5



The pre-installation of mast ties is required for every transport platform setup. In certain configurations, the installation of a spacer shim will be required if the unit has a bridge link in place.

Transport Platform System

Pre-Installation

Installation of bridges (cont'd)

- 8- Follow step 7 to install the third bridge assembly ("C" in fig. 1.5, p. 11). For specific configurations where the unit has a **bridge link in place**, the installation of the **spacer shim** is required. For instructions on the installation of the spacer shim, refer to p. 23 of the *Bridges* section.
- 9- Make sure all bolt assemblies are tightened and secure.
- 10- Install all the appropriate guardrails. It is suggested to use standard F2 Series guardrails during the pre-installation of mast ties. Refer to the *Accessories* section of the owner's manual included with the motorized unit for more information on the installation of guardrails.

Installation of pre-installation components

- 11- Install the optional support brackets for the mast tie installation deck. For instructions on the use and installation of the support brackets, refer to p. 25 of the *Bridges* section. Lift up the two support brackets (fig. 1.6) and secure in place with pins.

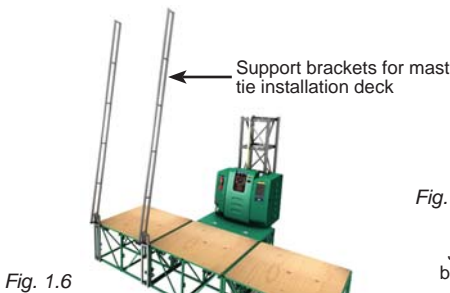


Fig. 1.6

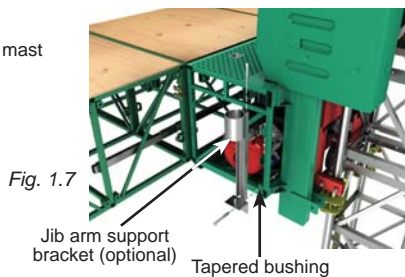


Fig. 1.7

- 12- The optional jib arm must be installed at this point. In configurations where the unit has a bridge link in place, make sure the bridge link door is closed before installing the jib arm in the pocket located on the bridge. If the bridge link is removed, install the optional jib arm support bracket, as described in step 13.
- 13- To install the optional jib arm support bracket, align the top part of the support bracket with the tapered bushing on the side of the main frame (fig. 1.7). Secure the top and bottom of the bracket with the bolts provided.
- 14- Install the jib arm assembly in the support bracket installed in step 13 or in the pocket located on the bridge link. Refer to the *Accessories* section of the owner's manual included with the motorized unit for more information on the installation and use of the jib arm assembly.



It is suggested to use standard F2 Series guardrails **during the pre-installation** of mast ties.

Transport Platform System

Pre-Installation

Installation and testing of switches

- 15- In a configuration using an F2 Series motorized unit not specifically manufactured for the transport platform, the adapter bracket for the proximity sensor must be installed. For instructions on the installation of the adapter bracket for the proximity sensor, refer to p. 35 of the *Accessories* section.
- 16- **Before installing mast sections**, turn the ignition key to the ON position and review the indicator lights on the control panel. When the **motorized unit** is at **base level**, the **top/bottom final limit** and the **top/bottom limit indicator lights** should be **flashing**. Inspect the strobe under the main frame and make sure it is working appropriately.
- 17- With the motorized unit at base level and the ignition key at the ON position, test the top final limit switch by placing a metallic object in front of it. If the switch is working properly, the top/bottom final limit indicator light should stop flashing on the control panel.
- 18- Remove the mast head and install one mast section. Refer to the *Masts and Mast Ties* section of the owner's manual included with the motorized unit for more information on the installation of mast sections.
- 19- The top/bottom final limit indicator light on the control panel should no longer flash. Test the bottom final limit switch (the highest of both bottom proxy switches) by placing a metal object in front of it. If the switch is working properly, the top/bottom final limit indicator light should start flashing on the control panel.
- 20- Test the bottom limit switch by raising the unit by about 6" (15,2 cm) above base level. If the bottom limit switch is working properly, its indicator light should stop flashing on the control panel.
- 21- With the motorized unit still about 6" (15,2 cm) above base level (and with the top/bottom limit indicator light still not flashing on the control panel), test the top limit switch by placing a metal object in front of it. The top/bottom limit indicator light should start flashing on the control panel.
- 22- If any of the limit switches are not working properly, call the service center or the Hydro Mobile technical support team. For more information about limit switches and their indicator lights, refer to the *Control Panel* section of the owner's manual included with the motorized unit.

Installation of mast sections and mast ties

- 23- Make sure the support brackets for the mast tie installation deck are lifted. Install a mast tie level at 10' (3 m) from base level, as recommended in the *Mast Tie Schedule* table (fig. 3.2, p. 27). For instructions on the installation of a mast tie level, refer to p. 29 of the *Mast Ties* section. It is important to note that this **first tie level** must be installed **from the bearing surface only** because of the overhead clearance required by the mast tie installation deck.



The **first tie level** in a transport platform installation must be installed **from the bearing surface only**, because of the overhead clearance required by the mast tie installation deck.

Transport Platform System

Pre-Installation

Installation of mast sections and mast ties (cont'd)

- 24- Using the jib arm, crane or forklift load **three** mast sections, one mast tie frame, mast ties for one tie level and the optional scaffold planks on the platform. Place material as shown in fig. 1.8.

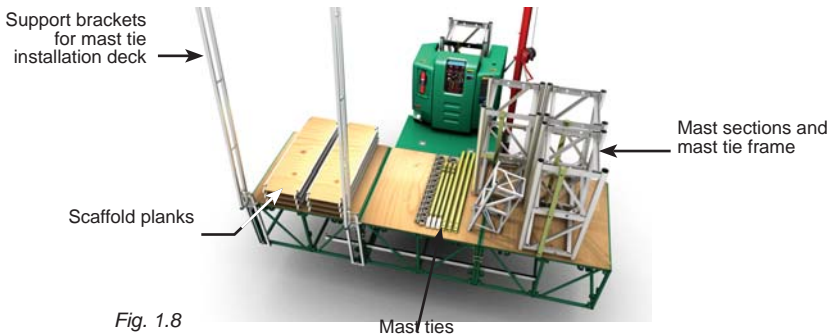


Fig. 1.8

Mast ties

Note: guardrails are not shown in the above illustration for clarity purposes

- 25- Using the jib arm, lift and install a mast section.
- 26- Make sure that the mast tie support brackets for the deck are lifted up and raise the platform to install the other two mast sections.
- 27- Once all three mast sections have been installed, **bring down the support brackets**. Install the six scaffold planks. For instructions on the installation and use of the scaffold planks, refer to p. 25 of the *Bridges* section.
- 28- Install the second mast tie level at 20' (7 m) above the first tie point.
- 29- Once the mast ties have been installed, lower the platform by 15' (4,6 m). Remove the scaffold planks and lift up the support brackets. Bring the platform down to base level.
- 30- Load seven mast sections, one mast tie frame and mast ties for one tie level (fig. 1.9). Repeat steps 25, 26 and 27 to install all **seven mast sections and the tie level at 35' (11 m)**.

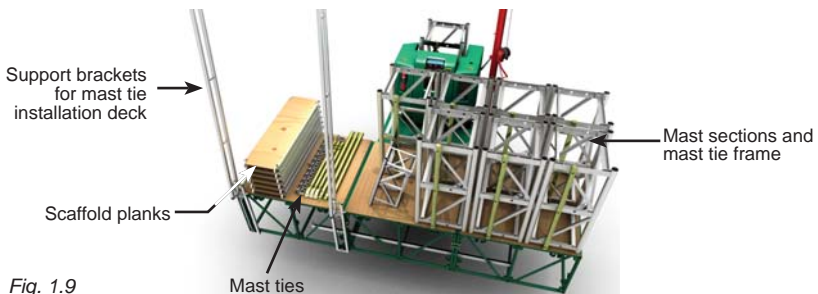


Fig. 1.9

Mast ties

Note: guardrails are not shown in the above illustration for clarity purposes

Transport Platform System

Pre-Installation

Installation of mast sections and mast ties (cont'd)

- 31- Install as many mast sections and mast ties as is required and allowed, making sure throughout the process that the mast remains plumb on both its front and side axis. Refer to the *Mast Tie Schedule* table on p. 27 of the *Masts and Mast Ties* section for more information on the number of mast ties required in a setup. A transport platform setup should not rise over 500' (152 m), unless authorized in writing by Hydro Mobile prior to installation. Make sure that the last mast section will be **at least 3' (0,9 m)** above the mast guard. Consequently, **at least 3' (0,9 m)** of mast section must be visible above the mast guard **at all times when the motorized unit is in operation**.
- 32- Install the mast head on top of the last mast section. For instructions on the installation and use of the mast head, refer to the *Masts and Mast Ties* section of the owner's manual included with the motorized unit. **The mast guard(s) must not be installed at this point.**
- 33- In a configuration using an F2 Series motorized unit not specifically manufactured for the transport platform, the top limit trigger designed for transport platform installations must be installed on the mast head. For instructions on the installation and use of the mast head top limit trigger, refer to p. 36 of the *Accessories* section.
- 34- Once all mast sections and mast ties have been pre-installed, lower the transport platform to base level, verifying the mast ties and mast bolts on the way down and making sure that all are properly secured and in good condition. Apply grease to the rack(s) and gears and allow the grease to stand for 2-3 hours. Use an open gear lubricant recommended by Hydro Mobile.


Removal of pre-installation components

- 35- Remove and store the jib arm. Remove the mast deck installation supports and the scaffold planks.
- 36- Install the trigger assembly for the safety stop switch on the bottom rung of the fourth mast section. For instructions on the installation and use of the safety stop switch trigger assembly, refer to p. 36 of the *Accessories* section.
- 37- Install the mast guard(s), remove the standard guardrails and proceed with standard installation instructions.

Transport Platform System

Standard Installation

Pre-installation of mast ties is required for every transport platform setup. Before proceeding with the standard installation instructions, make sure that mast ties have been installed as described in the pre-installation instructions on p. 13. If the installation is using a unit not specifically manufactured for the transport platform, make sure also that the motorized unit meets with the system compatibility requirements as described on p. 9.



Standard installation walkthrough
Installation of access doors
Installation of guardrails
Units without a bridge link
Units with a bridge link
Installation of guardrail fillers
Connection of access door proximity sensors

Access Doors

The transport platform is equipped with two access doors to facilitate the movement of workers and material. Access doors must be installed as required by the configuration (fig. 1.10).

Installation

- 1- Insert the legs of an access door assembly in the two guardrail pockets located at the top of the bridge (fig. 1.11). Secure the access door in place with toggle pins.
- 2- Repeat step 1 to install every other access door assembly required.



Fig. 1.10



Fig. 1.11

Transport Platform System

Standard Installation

Guardrails

Appropriate guardrails must be installed on each transport platform bridge to ensure the safe transport of workers and material at all times. Guardrails must be installed according to the configuration (fig. 1.12).

Except during pre-installation, the use of standard guardrails on a transport platform setup requires some modifications. It is important to note that the roof guard structure cannot be installed if standard guardrails are used on the installation. Contact the Hydro Mobile technical support team for more information about the use of standard guardrails on a transport platform setup.

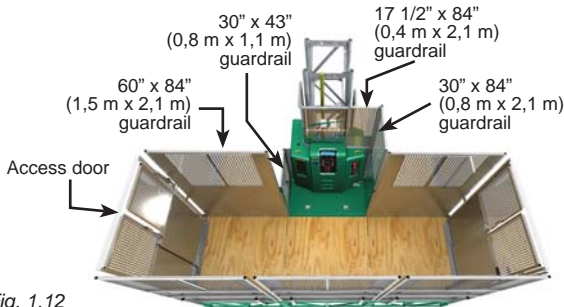


Fig. 1.12

Location of guardrails and doors

Installation - unit without a bridge link

- 1- Using bolt assemblies, attach the straight filler to the 30" x 43" (0,8 m x 1,1 m) guardrail (fig. 1.13), making sure to install the straight filler on the appropriate side, according to the configuration. See fig. 1.12 for more information.



Fig. 1.13

- 2- Insert the legs of the guardrail in the pockets at the top of the main frame. Secure the guardrail in place with toggle pins.
- 3- Using bolt assemblies, attach the 17 1/2" x 84" (0,4 m x 2,1 m) guardrail to the 30" x 84" (0,8 m x 2,1 m) guardrail (fig. 1.14), making sure to install the 17 1/2" x 84" (0,4 m x 2,1 m) guardrail on the appropriate side, according to the configuration (fig. 1.12).



Fig. 1.14

Transport Platform System

Standard Installation

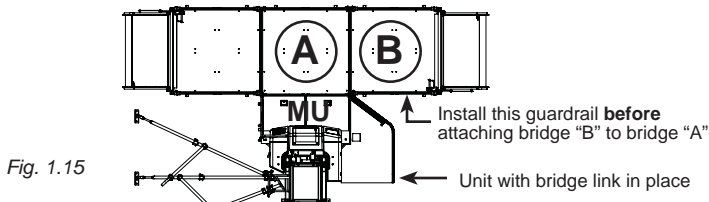
Guardrails

Installation - unit without a bridge link (cont'd)

- 4- Insert the legs of the guardrail in the pockets at the top of the main frame. Secure the guardrail in place with toggle pins.
- 5- To install each 60" x 84" (1,5 m x 2,1 m) guardrail required, insert the legs of the guardrail in the pockets at the top of the bridge assembly. Secure the guardrail in place with toggle pins.

Installation - unit with a bridge link

- 1- **In configurations where the unit has a bridge link in place**, it is important to note that the 60" x 84" (1,5 m x 2,1 m) guardrail closest to the bridge link (fig. 1.15) **cannot be installed if the bridge is already installed**.



- 2- If necessary, uninstall the bridge assembly and install the 60" x 84" (1,5 m x 2,1 m) guardrail as described in step 5 of the installation instructions for a unit without a bridge link. For more information about bridge installation and removal, refer to the *Bridges* section of the owner's manual included with the motorized unit.
- 3- If necessary, reinstall the bridge assembly, making sure the spacer shim is installed properly. For more information about the installation of the spacer shim, refer to p. 23 of the *Bridges* section.
- 4- It must be noted that the 30" x 43" (0,8 m x 1,1 m) guardrail cannot be installed if the unit has a bridge link.
- 5- Follow steps 3 through 5 of the instructions for a unit without a bridge link to install all the other required guardrails.

Guardrail Fillers and Lock Brackets

Appropriate fillers and lock brackets must be installed to fill gaps and secure guardrails and doors together. The installation instructions hereafter apply to a standard, three-bridge transport platform configuration (fig. 1.20). For more information regarding the installation of fillers on any other configuration, contact the Hydro Mobile technical support team.

Installation

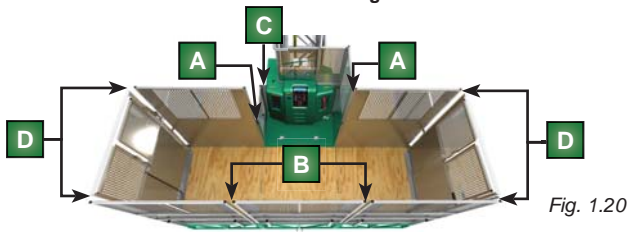
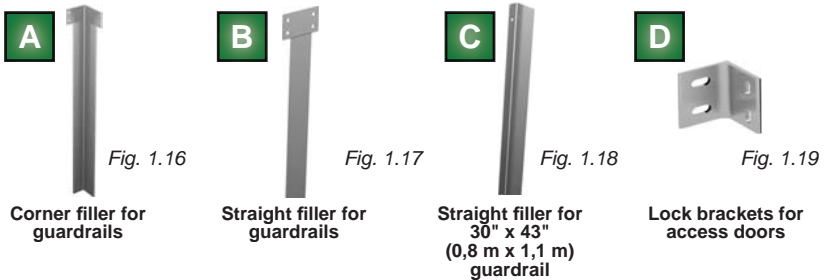
- 1- Using bolt assemblies, install the lock brackets on all the access doors of the setup (fig. 1.19). **Do not tighten the bolt assemblies yet.**

Transport Platform System

Standard Installation

Guardrail Fillers and Brackets

Installation (cont'd)



- 2- To fill the gap between two in-line 60" x 84" (1,5 m x 2,1 m) guardrails, install a straight filler (fig. 1.17) using bolt assemblies. **Do not tighten the bolt assemblies yet.** Repeat until all gaps between in-line 60" x 84" (1,5 m x 2,1 m) guardrails are filled and secure.
- 3- To fill the gap between a 60" x 84" (1,5 m x 2,1 m) guardrail installed at an angle with a guardrail on the motorized unit (fig. 1.20), install a corner filler using bolt assemblies (fig. 1.16). **Do not tighten the bolt assemblies.** Repeat for the other corner.
- 4- Tighten the bolt assemblies on the straight fillers installed in step 2 ("B" in fig. 1.20).
- 5- Tighten the bolt assemblies on the corner fillers installed in step 3 ("C" in fig. 1.20), making sure that the guardrails clear the access panels on the main frame, in front of the control panel.
- 6- Make sure the access door is plumb and tighten the bolt assemblies on the lock brackets ("A" in fig. 1.20). Repeat for each access door on the setup.
- 7- In order to make sure that the transport platform deck is even and to protect the top surface of the bridges, install cut to size 1/2" thick (1,3 cm) plywood panels on the deck of the transport platform. Secure the panels in place with screws. It is important to note that the weight of any plywood panel installed on the deck of the transport platform must be deducted from the load capacity of the setup. For more information about load capacities, refer to the *Load Capacities* section on p. 32.

Transport Platform System

Standard Installation

Access door proximity sensors

Each access door on the transport platform is equipped with a proximity sensor that will prevent the setup from moving if an access door is open. Before using the transport platform, all access door proximity sensors must first be connected to the motorized unit.

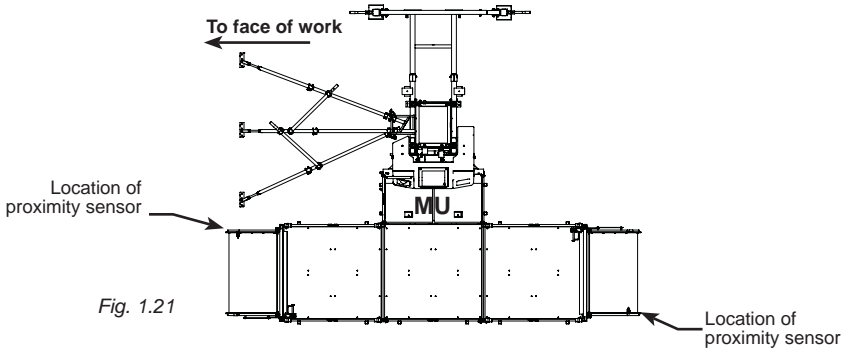


Fig. 1.21

Connection of the proximity sensors

Lift a power pack access panel on the main frame. Remove the toggle pin at the bottom of the plastic hood and remove the plastic hood. Replace the access panel. Repeat on the other side and remove the center panel. Make sure all access panels are in place and secure.



Fig. 1.22



Fig. 1.24

Fig. 1.23

Transport Platform System

Standard Installation

F2 Series unit with control panel serial number MC-1321 and up

On a unit where a bridge link is installed, the use of **one** “Y” connector is required to connect the proximity sensors.

Unit with a bridge link – “Y” connector required

- 1- Locate the “Door switch” port under the control panel (fig. 1.25). Remove the terminator plug and store it in the tool box.
- 2- Connect the “Y” connector in the “Door switch” port.
- 3- Unpack the cables used for the access door proximity sensors and run them through the structure in such way that they do not impede movement (fig. 1.23, p. 20).
- 4- Connect both proximity sensors to the “Y” connector. Replace all the plastic hoods. The transport platform setup is now ready for operation.

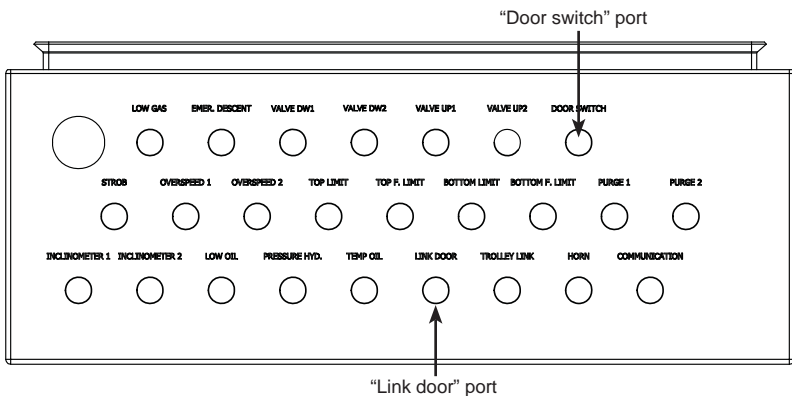


Fig. 1.25

Unit without a bridge link – “Y” connector not required

- 1- Locate the “Door switch” and the “Link door” ports under the control panel. Remove the terminator plug from the “Door switch”. Remove the cable or the terminator plug from the “Link door” port. Store terminator plugs in the tool box and secure the cable, if required.
- 2- Unpack the cables used for the access door proximity sensors and run them through the structure in such way that they do not impede movement (fig. 1.23, p. 20).
- 4- Connect each proximity sensor in either one of the ports (fig. 1.25). Replace all the plastic hoods. The transport platform setup is now ready for operation.

Transport Platform System

Standard Installation

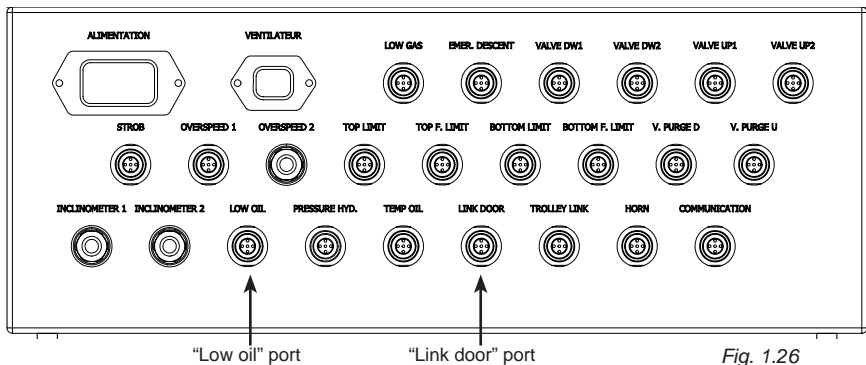
Access door proximity sensors

F2 Series unit with control panel serial number previous to MC-1321

On a unit where a bridge link is installed, the use of **two** “Y” connectors is required to connect the limit switches.

Unit with a bridge link – Two “Y” connectors required


- 1- Locate the “Low oil level” port under the control panel. Remove the low oil level cable from the “Low oil level” port.
- 2- Connect one of the “Y” connectors into the “Low oil level” port.
- 3- Connect the low oil level cable connector (previously removed) into the “Y” connector.
- 4- Connect the other “Y” connector in the “Y” connector previously installed.
- 5- Unpack the cables used for the access door proximity sensors and run them through the structure in such way that they do not impede movement (fig. 1.23, p. 20).
- 6- Connect both proximity sensors into the second “Y” connector. Replace all the plastic hoods. The transport platform setup is now ready for operation.



Unit without a bridge link – one “Y” connector required

- 1- Locate the “Link door” port under the control panel. Remove the cable from the “Link door” port. Secure the cable, if required.
- 2- Connect the “Y” connector into the “Link door” port.
- 3- Unpack the cables used for the access door proximity sensors and run them through the structure in such way that they do not impede movement (fig. 1.23, p. 20).
- 4- Connect both proximity sensors into the “Y” connector. Replace all the plastic hoods. The transport platform setup is now ready for operation.

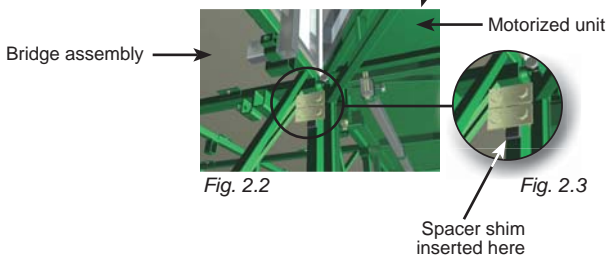
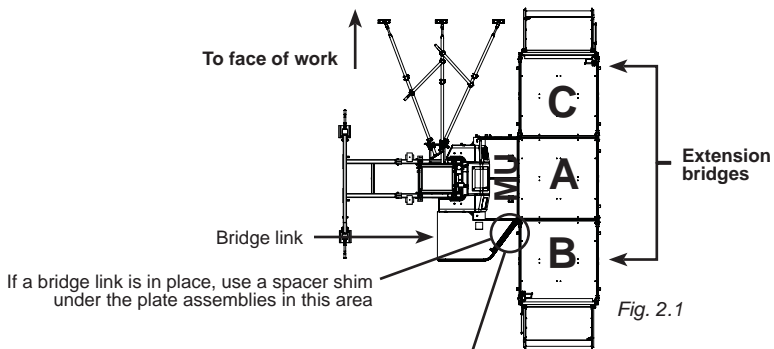
Transport Platform Bridges



Installation of bridges walkthrough
Installation of the extension bridges
Installation of the mast tie installation deck
Installation of the support brackets
Installation of the scaffold planks
Lifting the support brackets

Installation of the extension bridges (perpendicular three-bridge installation)

- 1- After installing the first bridge assembly on the motorized unit and bolting the second bridge assembly ("B" in fig. 2.1) to that first bridge installed, remove the plank stop pins from two 63" (1,6 m) outriggers. Slide the outriggers through the bottom outrigger pockets of the second bridge assembly ("B" in fig. 2.1) until they reach halfway through the first bridge assembly ("A" in fig. 2.1).
- 2- Install **two** extension plate assemblies at the top of **each** of the **three** vertical members of the bridge assembly in order to hold both bridges tightly together (fig. 2.2). Make sure that all the nuts and bolts on all six plate assemblies are tightened properly.
- 3- Tighten all the nuts and bolts on the outrigger pockets.



Transport Platform Bridges

Installation of the extension bridges (perpendicular three-bridge installation)

- 4- Repeat steps 1 through 3 for the third bridge assembly (“C” in fig. 2.1, p. 23), making sure the guardrail closest to the unit is pre-installed if a bridge link is in place.
- 5- Insert the spacer shim provided when installing the plate assemblies if a bridge link is in place (fig. 2.3, p. 23).

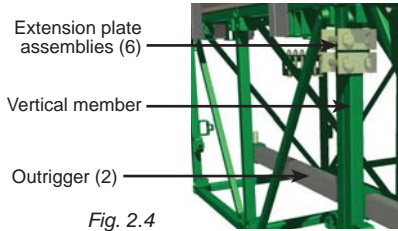


Fig. 2.4

Mast Tie Installation Deck (optional)

The Hydro Mobile transport platform can be equipped with an optional mast tie installation deck, consisting of support brackets and six standard 5' (1,5 m) scaffold planks, for the installation of mast ties. The mast tie installation deck must be installed on the bridge closest to the face of the work, so that the support brackets are parallel to the face of the work and in front of the mast (fig. 2.5).

It is important to make sure that the support brackets are lifted before raising or lowering the platform and that there is sufficient clearance above the support brackets to do so.

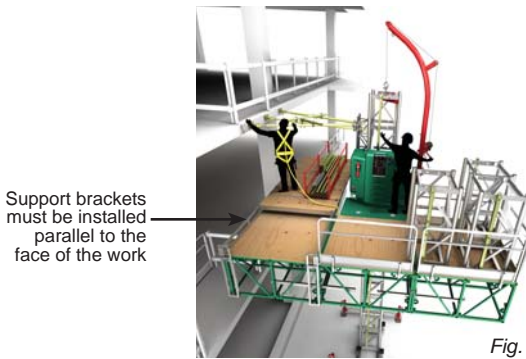


Fig. 2.5



It is important to make sure that the support brackets are lifted before raising or lowering the platform and that there is sufficient clearance above the brackets to do so.



The mast tie installation deck must be installed on the bridge closest to the face of the work, with the support brackets parallel to the face of the work.

Transport Platform Bridges

Mast Tie Installation Deck (optional)

Installation of the support brackets

- 1- Remove the pin on the support bracket. Load the support bracket on top of the bridge that is closest to the face of the work, making sure that the bushings on the vertical post are aligned with the external bushings of the bridge (fig. 2.6).
- 2- Slide the support bracket on top of the bridge and align it with the edge of the bridge that is closest to the face of the work.
- 3- Align the vertical post and secure it to the bridge with standard bridge bolt assemblies. Insert pin in the vertical post to store it (fig. 2.7).
- 4- Repeat steps 1 through 3 for the second support bracket, this time on the edge that is closest to the unit (fig. 2.6).

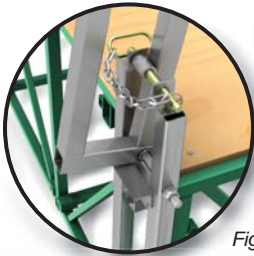


Fig. 2.7

Support bracket secured
in lifted position with pin

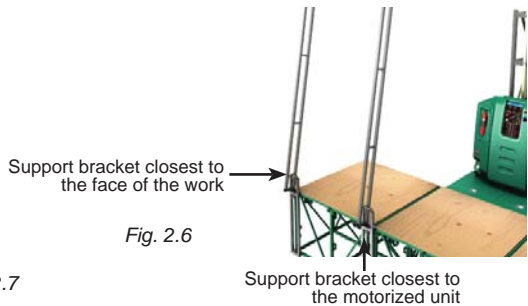


Fig. 2.6

Support bracket closest to
the motorized unit

Installation of the scaffold planks

The use of fall protection equipment is required at all times during the installation or removal of scaffold planks.

- 1- Make sure the support brackets are lowered and secured in place with the pins.
- 2- Lift and place the first scaffold plank on the support brackets so that it overlaps the bridge a little (fig. 2.8, p. 26).



The use of fall protection equipment is required at all times during the installation or removal of scaffold planks.

Transport Platform Bridges

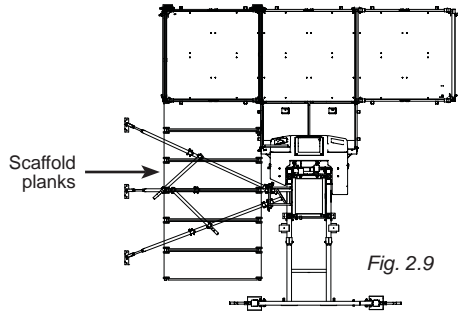
Mast Tie Installation Deck (optional)

Installation of the scaffold planks (cont'd)

- 3- Install the second scaffold plank on the support brackets next to the first one installed as described in step 2.
- 4- Repeat step 2 to install the remaining scaffold planks (4).
- 5- Once all planks are installed, push them out completely so they are snug against the end of the support brackets. Make sure all planks are secure and that there are no gaps between them (fig. 2.9).



Fig. 2.8



Lifting the support brackets

It is important to make sure that there is sufficient clearance above the brackets before they are lifted. Proper clearance can be achieved when the platform is 15' (4,6 m) below the next tie level or the height of three mast sections.

- 1- Remove the scaffold planks and load them on the bridge, between the two brackets.
- 2- Remove the pin and slide the bracket a little to the center, making sure it clears the pin support.
- 3- Lift the support bracket and align the bushing with the holes on the vertical post. Secure in place with the pin (fig. 2.10)
- 4- Repeat steps 2 and 3 for the second support bracket.



Fig. 2.10



Proper clearance to lift the brackets can be achieved by lowering the platform at 15' (4,6 m) below the tie level – or the height of three mast sections.

Mast Ties

Configuration

Mast sections and mast ties must be installed as required and allowed. Unless authorized in writing by Hydro Mobile prior to installation, the transport platform used with an F Series motorized unit should only be used on a mast whose height does not exceed 500' (152 m).

For any other configuration, contact the Hydro Mobile technical support team. Refer to the owner's manual included with the motorized unit for more information about the installation of mast sections.

When installing mast ties on a transport platform setup, it is **mandatory** to attach an additional dual clamp **inside** and **outside** the mast tie frame on each mast tie installed.

It is important to note that the maximum **overhang** allowed over the last mast tie in setups using a transport platform is 6' (1,8 m), **except during pre-installation of the mast ties**. In all cases where workers are exposed to fall hazards, fall protection equipment is required.

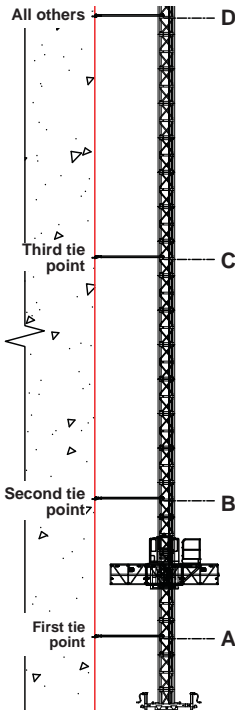


Fig. 3.1



Mast Tie Schedule for the Transport Platform (F2 Series unit)	
	No freestanding allowed
	 Base with extension
Freestanding	Not allowed
A (from under base)	10' (3 m)
B (from A)	20' (7 m)
C (from B)	35' (10,7 m)
D (from C)	35' (10,7 m)
Pre-installation of mast ties is mandatory	

Fig. 3.2

Note: On F Series transport platform setups, the base must be used with extensions.



It is important to note that **mast ties** were referred to as **wallmounts** in previous Hydro Mobile documentation. It is also important to note that **wall ties** were referred to as **anchors** in previous Hydro Mobile documentation. These changes were made in order to comply with current industry terminology.



Installation of mast ties walkthrough
Installation of the anchoring system
Installation of a mast tie level
Installation of the mast tie frame
Installation of wall tie brackets
Assembly and installation of mast ties
Installation of mast tie braces

Installation of the anchoring system

Before attaching masts to the building using the mast tie system, anchors or any other attachment must be installed on a solid component of the building structure. Concrete slabs, columns, steel beams, relief angles and other structural elements can be used provided they can sustain the tension / compression and shear force of the anchoring installation, as described below.

Anchoring installation with a short wall tie bracket

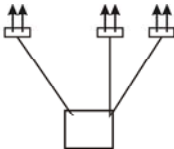


Fig. 3.3

Each anchor in the installation option shown in fig. 6.8 should sustain 1500 lb (682 kg) of tension / compression and 750 lb (340 kg) of shear force. A minimum of six anchors is required.

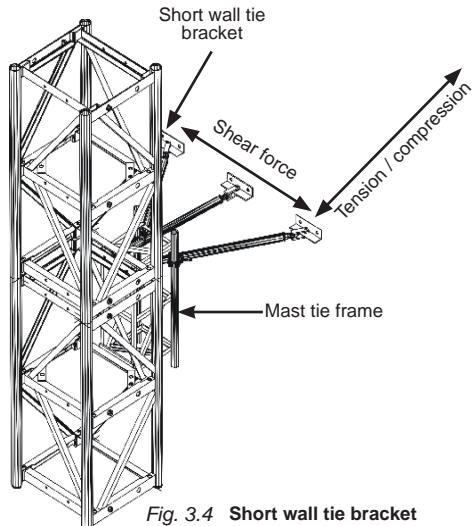


Fig. 3.4 Short wall tie bracket

Installation of a mast tie level

For transport platform setups where there are no forward extensions installed, refer to the *Mast and Mast Ties* section of the owner's manual included with the unit for instructions on the installation of mast ties.

Each anchor used in a transport platform setup must be capable of withstanding 1500 lb (682 kg) of tension / compression and 750 lb (340 kg) of shear force.

Installation of a mast tie level

Components required for each tie level	
3	36" (0,9 m) mast ties
3	60" (5 m) mast tie extensions
2	36" (0,9 m) mast tie extensions
9	rigid dual clamps
4	swivel dual clamps
1	mast tie frame
	appropriate anchors

Fig. 3.5

Installation of the mast tie frame and the wall tie brackets

- 1- Align the holes on the mast tie frame with the ones on the mast (fig. 3.6). Bolt the mast tie frame to the mast.
- 2- Choose the appropriate anchoring system. Each anchor must be capable of withstanding 1500 lb (682 kg) of tension / compression and 750 lb (340 kg) of shear force.
- 3- Attach the center wall tie bracket to the structure in the appropriate position (fig. 3.7), taking into account that the perpendicular mast tie must be installed on the tube inside the mast tie frame that is closest to the transport platform.
- 4- Attach each of the other two wall tie brackets at 43" (1,1 m) from the center wall tie bracket, as shown in fig. 3.8, p. 30.

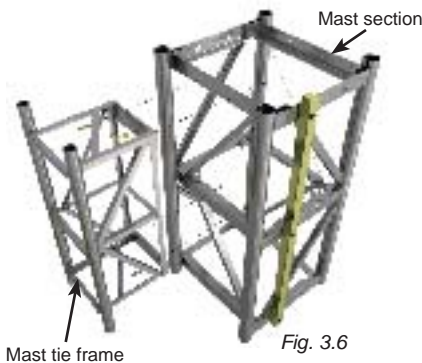


Fig. 3.6

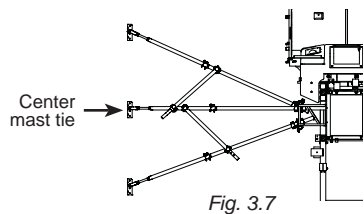


Fig. 3.7



Each anchor used in a transport platform setup must be capable of withstanding 1500 lb (682 kg) of tension / compression and 750 lb (340 kg) of shear force.

Mast Ties

Installation of a tie level

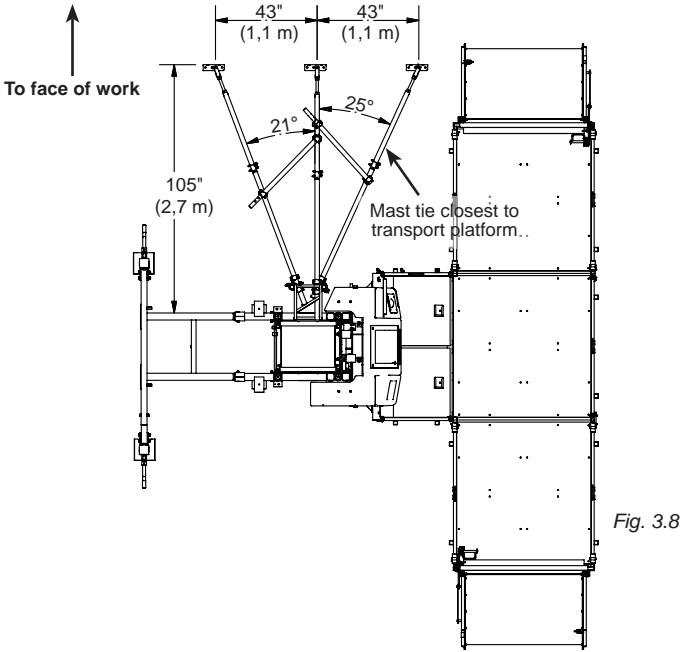


Fig. 3.8

Assembly and installation of the mast ties

- 5- Insert a 60" (1,5 m) mast tie extension into the tube of a 36" (0,9 m) mast tie. Secure in place with two pins (fig. 3.9).
- 6- Using the mast tie pin, attach the mast tie to the wall tie bracket, with the adjustment rod still at least halfway inside the mast tie tube.
- 7- Attach a rigid dual clamp to the vertical tube of the mast tie frame **below** the top bar and **above** the bottom bar (fig. 3.11). Make sure that the bolt is tightened properly to 37 lb-ft (50 N-m) of torque.
- 8- Attach the mast tie to the rigid dual clamp on the mast tie frame. Make sure that the bolt is tightened properly to 37 lb-ft (50 N-m) of torque.

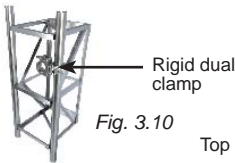


Fig. 3.10

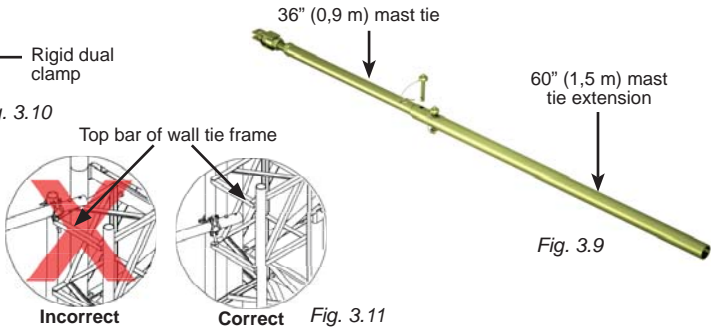


Fig. 3.9

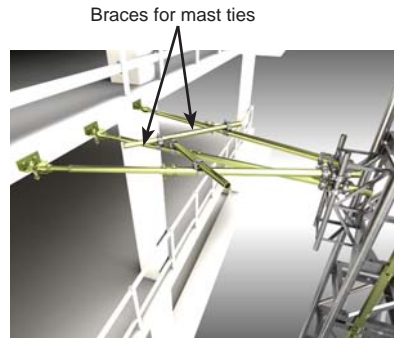
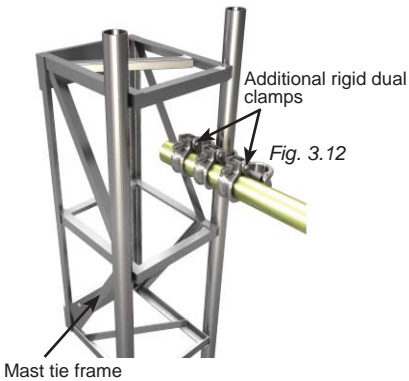
Fig. 3.11

Mast Ties

Installation of a tie level

Assembly and installation of the mast ties (cont'd)

- 9- Attach additional rigid dual clamps on the mast tie in **front** and **behind** the rigid dual clamp previously installed on the mast tie frame (fig. 3.12). Make sure that all the bolts are tightened properly to 37 lb-ft (50 N-m) of torque. Refer to the *Installation of dual clamps* procedure of the *Mast and Mast Ties* section of the owner's manual included with the unit for more information.
- 10- Adjust the length of the adjustment rod until the mast is plumb on its **front** axis.
- 11- Repeat steps 5 through 9 to install the mast tie that is closest to the transport platform (fig. 3.8).
- 12- Adjust the length of the adjustment rod until the mast is plumb on its **side** axis.
- 13- Repeat steps 5 through 9 to install the third mast tie.
- 14- Adjust the length of the adjustment rods on each of the mast ties until the mast is plumb on **both** its **front** and **side** axis.



Installation of the mast tie braces

- 15- Once the mast is plumb, use the remaining mast tie extensions and swivel dual clamps to brace the mast ties, as shown in fig. 3.13.
- 16- Make sure all bolts are properly tightened to 37 lb-ft (50 N-m) of torque.



Fall protection is required at all times during the pre-installation of the transport platform mast tie system.

Load Capacities



To ensure safety at all times on a transport platform system, the platform should not be loaded beyond its maximum rated load capacities. In addition, to prevent the transport platform system from stalling because of an overload, the maximum rated load capacities of the motorized unit(s) should be observed. Overloading a transport platform setup could result in serious injury or death.

Instructions for safe operation

- 1- To ensure safety and avoid creating any fall hazards, all access doors on the transport platform and motorized unit must be closed when they are not in use and when the platform is moving. Transfer of workers and material must be safe and hazard-free. It is mandatory to install all necessary guardrails and to make sure they are properly in place and secure at all times.
- 2- When the transport platform is moving, workers present on the platform must remain within 5' (1,5 m) of the control station.
- 3- Materials carried on the platform must be secured properly to prevent shifting when the transport platform is moving.
- 4- The transport platform system is equipped with a safety stop switch that prevents the platform from lowering any further when it is 10' (3 m) above base level. This interruption allows the operator to make sure that there are no obstacles underneath the platform and that there is the necessary clearance to bring it down to base level. After three seconds, the stop switch will automatically trigger itself off. When using certain models of the F Series motorized unit, the stop switch cannot be installed. In such cases, it is important to properly fence the perimeter surrounding the base of the transport platform setup to ensure safe and proper clearance under the platform.
- 5- Never modify the transport platform system or use substitute factory parts. This could adversely affect worker safety, unit performance and void the warranty. In addition, this could lead to serious injury or death.



- 1- The weight of plywood panels, planks and any additional accessory being used must be deducted from the load capacities shown in the tables on the following pages.
- 2- The weight of each worker's personal tools must be deducted from load capacities shown in the tables on the following pages.

WIND SPEEDS



Wind speeds must not exceed **28 mph (46 km/h)** during the **erection** and **dismantling** of a transport platform setup (including the base, the bridges, the masts, the mast ties and all the other components). Wind speeds must not exceed **35 mph (56 km/h)** when the transport platform setup is in operation. The transport platform must be returned to base level when it is **not in service**.

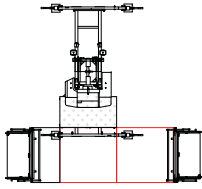
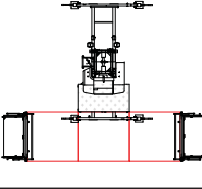
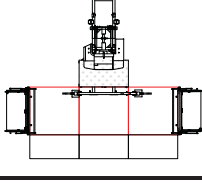
Transport Platform Load Capacity Charts

		1		2		3		4	
		5' (1,5 m)		10' (3 m)		15' (4,6 m)		5' (1,5 m)	
Nb of persons	Width	5' (1,5 m)		5' (1,5 m)		5' (1,5 m)		10' (3 m)	
	Length	4775 lb (2166 kg)	4575 lb (2075 kg)	2600 lb (1179 kg)	2400 lb (1089 kg)	1050 lb (476 kg)	900 lb (408 kg)	4100 lb (1860 kg)	3900 lb (1769 kg)
1		4375 lb (1984 kg)	4175 lb (1894 kg)	2200 lb (998 kg)	2000 lb (907 kg)	700 lb (318 kg)	3700 lb (1678 kg)	3500 lb (1588 kg)	
2			3975 lb (1803 kg)	1800 lb (816 kg)			3300 lb (1497 kg)		
3									
4									
5									
Maximum number of persons per configuration (no loads)									
A		12		7		3		10	
It is important to note that the maximum weight allowed to be applied on a side guardrail is 200 lb (91 kg)		It is important to note that the maximum weight allowed to be applied		B		The maximum load allowed to be applied on the last bridge is		300 lb (136 kg)	

These load capacities charts apply to single cart configurations of transport platform setups only (unlinked motorized unit). On a transport platform setup using an F-Series unit, these load capacities charts take precedence over the load capacities charts displayed on the motorized unit. For any configuration other than those shown in these charts, contact the HydrO Mobile technical support team.

Fig. 4.1

Transport Platform Load Capacity Charts

		5		6		7	
							
Nb of persons	Width	5' (1,5 m)	5' (1,5 m)	5' (1,5 m)	5' (1,5 m)	7 1/2" (2,3 m)	7 1/2" (2,3 m)
	Length	12 1/2' (3,8 m)	12 1/2' (3,8 m)	15' (4,6 m)	15' (4,6 m)	15' (4,6 m)	15' (4,6 m)
1		3750 lb (1701 kg)	3750 lb (1701 kg)	3400 lb (1542 kg)	3400 lb (1542 kg)	2000 lb (907 kg)	2000 lb (907 kg)
2		3550 lb (1610 kg)	3550 lb (1610 kg)	3200 lb (1542 kg)	3200 lb (1542 kg)	1800 lb (816 kg)	1800 lb (816 kg)
3		3350 lb (1520 kg)	3350 lb (1520 kg)	3000 lb (1361 kg)	3000 lb (1361 kg)	1600 lb (762 kg)	1600 lb (762 kg)
4		3150 lb (1429 kg)	3150 lb (1429 kg)	2800 lb (1270 kg)	2800 lb (1270 kg)	1450 lb (658 kg)	1450 lb (658 kg)
5		2950 lb (1338 kg)	2950 lb (1338 kg)	2600 lb (1179 kg)	2600 lb (1179 kg)	1300 lb (590 kg)	1300 lb (590 kg)
Maximum number of persons per configuration (no loads)		9		9		5	

These load capacities charts apply to single cart configurations of transport platform setups only (unlinked motorized unit). On a transport platform setup using an F Series unit, these load capacities charts take precedence over the load capacities charts displayed on the motorized unit. For any configuration other than those shown in these charts, contact the Hydro Mobile technical support team.


Fig. 4.2

Accessories

Transport Platform Safety Stop Switch and Triggers

In addition to top/bottom and top final/bottom final limit switches, the Hydro Mobile transport platform system is equipped with a safety stop switch that will prevent a setup from lowering any further when it is 10' (3 m) above base level. The purpose of this switch is to allow the operator the time to make sure that there are no obstacles and that the platform has the necessary clearance to be brought down to base level.

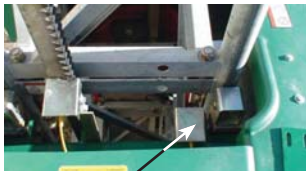
When using certain models of F Series motorized units, the stop switch cannot be installed. In such cases, it is important to properly fence the perimeter surrounding the base of the transport platform setup to ensure safe and proper clearance under the platform.

Safety stop switch and triggers walkthrough	
	Installation of the adapter for the proximity sensor
	Installation of the mast head top limit trigger
	Installation of the stop switch trigger
	Adjustment of the proximity sensor
	Operation of the safety stop switch

On a motorized unit specifically manufactured for the transport platform, the adapter bracket for the proximity sensor and the mast head top limit trigger that must be used with the transport platform are already installed.

Installation of the adapter bracket for the proximity sensor

- 1- Facing the control panel, locate the proximity sensor, on the right-hand side of the mast (fig. 5.1). Remove the bolts and lift out the sensor.
- 2- Align the sensor with the holes on the adapter bracket. Using bolt assemblies, attach the sensor to the adapter bracket.



Top limit sensor *Fig. 5.1*

Fig. 5.2



Adapter bracket

Fig. 5.3

- 3- Using the bolts removed in step 1, install the adapter bracket where the sensor was previously installed (fig. 5.2). **Do not tighten the bolts at this point.**
- 4- Adjust the adapter bracket so there is a distance of 3/8" (95 mm) between the rung and the tip of the sensor (fig. 5.3). Tighten the bolts properly.

Accessories

Transport Platform Safety Stop Switch and Triggers

Installation of the mast head top limit trigger

- 5- Locate the top limit trigger on the mast head.
- 6- Remove the thumbscrews and take off the trigger. Store the trigger in the tool box.
- 7- Using the thumbscrews, install the mast head top limit trigger specifically manufactured for the transport platform, making sure the bottom part is on the left side of the thumbscrews. Refer to fig. 5.4 to install the trigger properly.



Fig. 5.4

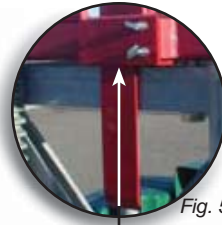
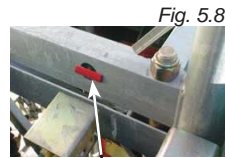
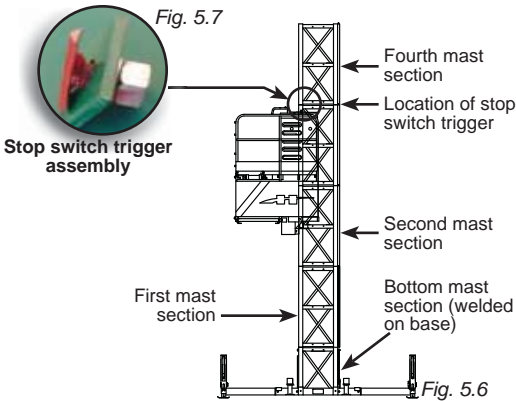


Fig. 5.5

Trigger on the left side of the thumbscrews

Installation of the stop switch trigger

- 1- Bring the transport platform to the third mast section up from base level.
- 2- Facing the control panel, locate the hole on the right-hand side on the bottom mast rung of the fourth mast section. Bolt the trigger through that hole (fig. 5.8), making sure the trigger is horizontal.



Stop switch trigger must be horizontal

Accessories

Transport Platform Safety Stop Switch and Triggers

Adjustment of the proximity sensor

- 1- Bring the transport platform to base level.
- 2- When at base level, **raise** the transport platform at **low speed**, making sure it **does not stop** when going over the 10' (3 m) safety stop switch trigger.
- 3- If the **transport platform stops while rising**, the proximity sensor is located **too close** to the mast and must be pulled back a little. Adjust the sensor and repeat step 2 until the platform does not stop when going over the trigger while rising.
- 4- Raise the transport platform to the top of the setup and make sure that the platform stops when it reaches the mast head.
- 5- If the **transport platform does not stop** when reaching the **mast head**, the proximity sensor is located **too far** from the mast and must be pushed in. Adjust the sensor and repeat step 4 until the platform stops when reaching the mast head.

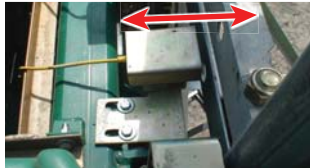


Fig. 5.9

Distance between the proximity sensor and the mast rung must be adjusted

- 6- Bring the transport platform to base level at **high** speed, making sure that it **stops** when reaching the 10' (3 m) safety stop switch trigger.
- 7- If the **transport platform does not stop**, the proximity sensor is located **too far** from the mast and must be pushed in. Adjust the sensor and repeat step 6 until the platform stops when it reaches the trigger.
- 8- Repeat testing until the proximity sensor on the transport platform is triggered appropriately and in a timely fashion.

Operation of the safety stop switch

- 1- Press and hold the descent control button on the control panel to start lowering the transport platform toward base level.
- 2- When the setup is stopped by the trigger at 10' (3 m) from base level, release the descent control button.
- 3- Make sure that there are no obstacles underneath and that there is enough clearance to continue lowering the platform. After three seconds, the safety stop switch will trigger itself off. Press and hold the descent control button to resume lowering the transport platform to base level.

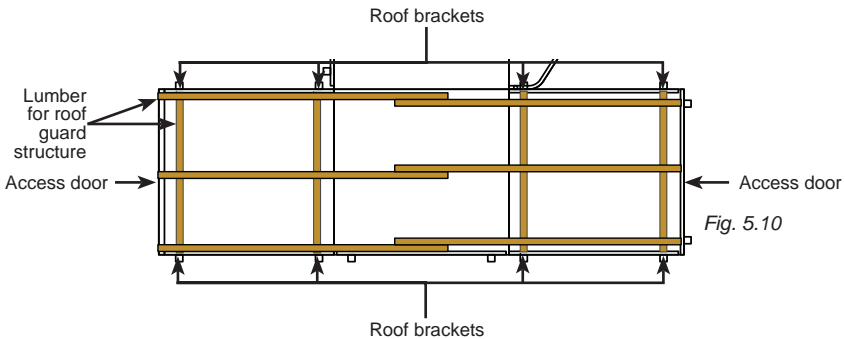
Accessories

Roof Guard Structure (optional)

A roof guard can be installed on the transport platform to ensure overhead protection for workers and material at all times. Optional roof brackets and a combination of plywood and lumber is required for the installation of the roof guard structure. It is important to note that the use of 60" x 84" (1,5 m x 2,1 m) guardrails is required for the installation of the roof guard structure. Refer to p. 17 for more information about transport platform guardrails.

Installation

- 1- Install the first roof bracket in the designated hole in a corner at the top of the guardrail. Tighten the bolt assembly to secure the bracket in place.



- 2- Install a second roof bracket next to the vertical tube, at the other end of the guardrail (fig. 5.10). Tighten the bolt assembly to secure the bracket in place.
- 3- Repeat steps 1 and 2 to install all the roof brackets. Roof brackets are not required on top of the middle guardrail, opposite to the motorized unit.
- 4- Starting at one end of the setup, slide a 60" (1,5 m) piece of 4" x 4" (10,1 cm x 10,1 cm) lumber in two roof brackets across the width of the bridge. Secure in place with screws.
- 5- Repeat step 4 to install all the required 4" x 4" (10,1 cm x 10,1 cm) roof supports.
- 6- On top of the roof supports, overlap 8' (2,4 m) long pieces of 2" x 4" (5 cm x 10 cm) lumber to create three parallel rows. Secure the overlapping pieces together and to the transverse pieces of lumber underneath with screws.
- 7- Install cut to size panels of plywood on top of the roof structure. Secure in place with screws.



When an optional roof guard structure is installed, it is important to make sure that it is clear of any accumulation of debris, snow or ice **at all times**.

Transport and Storage

Before transporting or storing a transport platform and its motorized unit, make sure that the gas lever has been turned off and that the battery has been disconnected. When storing a motorized unit, there should be sufficient cribbing under the base to prevent freezing water from causing damages to the bottom of the structure.

For detailed instructions on the transport and storage of an F Series motorized unit, refer to the *Transport, Storage and Maintenance* section of the owner's manual included with the motorized unit.

Maintenance

Proper maintenance and service will warrant safe, economical, and trouble free operation of an F Series transport platform. Frequent inspection operations must be carried out by a competent person. Any corrective action further to these inspection operations must be carried out by a person qualified for such corrective action. It is important to note that inspections must also be performed on the motorized unit and its accessories, as prescribed by the owner's manual included with the motorized unit.

Inspection operations are only necessary when the transport platform is in use. The owner and/or user is responsible for all inspection and maintenance operations. Blank copies of the inspection checklist for this transport platform should be available on job sites at all times to be filled out when these inspection operations are carried out. The notes and comments area of the form must be used to indicate any discrepancy or any item found to be not acceptable. Any discrepancy must be reported to the owner/user and appropriate corrective action must be taken immediately. Corrective actions must be performed by qualified personnel. Maintenance and inspection logs must be kept on record for warranty and safety purposes.

In order to ensure operational safety and avoid failures, the owner must also make sure that all the scheduled inspection and maintenance operations have been effectively and timely carried out on the motorized unit and its accessories according to the inspection and maintenance schedules recommended for the F Series motorized unit used with this transport platform. Blank copies of the inspection checklists should be available on job sites at all times to be filled out when these inspection operations are carried out. Maintenance and inspection logs must be kept on record for warranty and safety purposes.

Copies of the inspection and maintenance checklist recommended for the F Series transport platform can be obtained by contacting the service center or the Hydro Mobile technical support team. Copies of this checklist can also be downloaded directly from the Hydro Mobile web site at www.hydro-mobile.com.



Inspection operations must also be performed on the motorized unit and its accessories, as prescribed by the owner's manual included with the motorized unit.

Inspections and Maintenance

Proper maintenance and service will warrant safe, economical, and trouble-free operation of an F2 Series transport platform and the motorized unit it is used with. In order to ensure operational safety and avoid failures, the owner must make sure that all the scheduled inspection and maintenance operations have been effectively and timely carried out according to the inspection and maintenance schedules recommended for F2 Series motorized units and their accessories.

Blank copies of the daily inspection checklist must be available on job sites at all times to be filled out when daily and weekly inspection operations are carried out. Maintenance and inspection logs must be kept on record for warranty and safety purposes.

Copies of all maintenance and inspection checklists can be obtained by contacting the distributor/service center or the Hydro Mobile technical support team or downloaded directly from the Hydro Mobile website at www.hydro-mobile.com.

Daily and Weekly Inspections and Maintenance

Each Hydro Mobile transport platform and the motorized it is used with must be submitted to daily (or before every working shift) and weekly inspections and maintenance operations performed by the qualified operator.

Daily and weekly inspection operations are only necessary when the transport platform and the motorized unit it is used with are in use. The owner and/or user is responsible for all inspection and maintenance operations. Before being first used on a job site, a transport platform and the motorized unit it is used with must be inspected effectively and timely, according to the schedules recommended for F2 Series motorized units and their accessories.

Maintenance and inspection logs must be kept on record for warranty and safety purposes. Blank copies of the daily inspection checklist must be available on job sites at all times to be filled out when daily and weekly inspection operations are carried out. The notes and comments form must be used to indicate any discrepancy or any item found to be not acceptable. Any discrepancy must be reported to the owner/user and appropriate corrective action must be taken immediately. Corrective actions must be performed by qualified personnel.

MOTORIZED UNITS AND ACCESSORIES for TRANSPORT PLATFORM INSTALLATIONS		DAILY INSPECTION CHECKLIST	
PROJECT:	COMPLETION PERSON (Full name)		
LOCATION:	MOTORIZED UNIT SERIAL NUMBER:		
CONTRACTOR:	DATE (WORK OFF):		
<div style="display: flex; align-items: center; justify-content: center;"> <p style="font-size: 0.8em; margin: 0;">Each Motor Mobile unit must be inspected daily or before every working shift, as well as weekly, use the space below to maintain a copy of the daily and weekly inspection of transport platform installation. Use the notes and comments form to indicate any discrepancy or any item found to be not acceptable. Any discrepancy must be reported and appropriate corrective action must be taken immediately. Corrective actions must be performed by qualified personnel.</p> </div>			
USE CHECK MARK FOR EACH CATEGORY VERIFIED. IF NECESSARY, TAKE CORRECTIVE ACTION BEFORE INSPECTING CHECKY MARK:			
ACCESS - SAFETY		SERIAL NUMBER (if applicable)	
All work areas are clear of obstructions and equipment.			
All safety guards are in position and doors are operational (no false hazards). Main guards are in position and secure.			
An evacuation plan specific to the job site is available to all workers and a legible copy of the owner's manual is in the tool box.			
Construction traffic is controlled on and around job site (orange barriers installed).			
Minimum clearance from overhead power lines is maintained according to local regulations.			
Removal of all vital oil and lubrication piping (spec. identification labeling).			
Setup and installation meet the requirements per the manufacturer's manual or approved engineering drawing.			
The platform chain of command (building, business, etc.) has been established or known.			
Work and circulation areas on the platform are clear of any obstructions.			
ACCESS DOORS, GUARDRAILS AND ROOF GUARDS		SERIAL NUMBER (if applicable)	
Access doors or barriers of all loading and unloading levels are in place and secure. Access area on each level is safe and free from obstruction.			
Clear walkways have been verified and are working properly.			
No structural damage, rust, corrosion and trim of damage. The top of the roof structure is clean and free of debris. If applicable, snow accumulation has been removed from the roof structure.			
RAISE		SERIAL NUMBER (if applicable)	
Cable and winch and winch pedestal has not moved.			
Rubber buffers on the base are in place and in good condition.			
Stop switch (trigger when unit is descending and is at 2/3 in off ground) has been verified and is working properly. On unit models where stop switch cannot be verified, confirmation must be provided that the transport platform will stop prior to the maximum safe and appropriate height when the stop switch is used.			
MOTORIZED UNIT - COMPONENTS		SERIAL NUMBER (if applicable)	
Control panel is working properly and displays no alarm.			
Emergency stop has been verified and is working properly. CAUTION MUST BE TURNED OFF when the unit is used in operation.			
Condition and height of tires are inspected and are within requirements. All tires are clean, inflated and in good condition or has been replaced. If necessary, replace all tires that have been inspected to be less than 2/32" tread depth. If required, safety inspection must be performed by a qualified technician.			
Inspect trailer structure for any working defects, damaged parts and excessive rust or corrosion.			
Lifting mechanism is clear of debris (cracks, necessary material, etc.) and shows no signs of excessive wear.			
Load and tires, ground, weather, bog, top, front, bottom, front and rear sensors have been checked and are working properly (on both sides on model 2200).			
Motorized unit structure has been inspected and shows no signs of damage or distortion.			
On an electrical unit, the power cable has been inspected and shows no signs of damage. Input power is adequate and phases are in sync.			
On an electrical unit, the routing of the power cable is free from obstruction and the cable routed properly.			
Racks and gears must be greased at least once a week from top of range to base seat using open gear lubricant recommended by Hydro Mobile. Lubrication checklist must be signed and kept on file (operator name, specific conditions, etc.). Refer to the owner's manual for complete instructions on the appropriate lubrication.			
MOTORIZED UNIT - SAFETY DEVICES		SERIAL NUMBER (if applicable)	
Overhaul safety device (safety limit) mechanism has been inspected and shows no apparent signs of defect, and is free of grease or any other substance. Grease must never be applied to the components of the complete safety device (SDS/C).			

Fig. 6.1